



**Electrolux**  
PROFESSIONAL

**Modular Cooking Range Line  
700XP 4-Hot Square Plates Electric  
Boiling Top Range on Electric Oven**

ITEM # \_\_\_\_\_

MODEL # \_\_\_\_\_

NAME # \_\_\_\_\_

SIS # \_\_\_\_\_

AIA # \_\_\_\_\_



**371018 (E7ECEH4QE0)**

4-hot square plate (2,6 kW each) electric range on electric oven (6 kW)

**371129 (E7ECEH4QEN)**

4-hot square plate (2,6 kW each) electric range on electric oven (6 kW)

**Short Form Specification**

**Item No.** \_\_\_\_\_

To be installed on stainless steel feet with height adjustment up to 50 mm. Four 2.6 kW square cast-iron hot plates hermetically sealed to the one-piece top. Stainless steel oven chamber with 3 levels of runners to accommodate 2/1 GN shelves (2 steam pans). Ribbed oven base plate. Exterior panels in stainless steel with Scotch Brite finish. One piece pressed work top in 1.5 mm thick stainless steel. Right-angled side edges to allow flush-fitting junction between units.

**Main Features**

- The four 2.6kW cast-iron square plates are hermetically sealed to the one-piece top.
- Base compartment consists of an electric standard oven with thick oven door for heat insulation, positioned beneath the base plate.
- Electric oven to have separate thermostats for top and bottom heating elements.
- Stainless steel oven chamber with 3 levels of runners to accommodate 2/1 GN shelves (2 steam pans).
- Ribbed enamelled steel oven base plate.
- The special design of the control knob system guarantees against water infiltration.
- IPx4 water protection.
- Oven thermostat adjustable from 100 °C to 300 °C.

**Construction**

- All exterior panels in Stainless Steel with Scotch Brite finishing.
- One piece pressed 1.5 mm work top in Stainless steel.
- Model has right-angled side edges to allow flush fitting joints between units, eliminating gaps and possible dirt traps.

**Included Accessories**

- 1 of GN2/1 chrome grid for static oven PNC 164250

**Optional Accessories**

- GN2/1 chrome grid for static oven PNC 164250
- Junction sealing kit PNC 206086
- 4 wheels, 2 swivelling with brake (700/900XP). It is mandatory to install with base supports for feet/wheels. PNC 206135
- Flanged feet kit PNC 206136
- Frontal kicking strip for concrete installation, 800mm PNC 206148
- Frontal kicking strip for concrete installation, 1000mm PNC 206150
- Frontal kicking strip for concrete installation, 1200mm PNC 206151
- Frontal kicking strip for concrete installation, 1600mm PNC 206152
- 2 cast iron plate bars for electric cooking top (only for 371018) PNC 206168
- Frontal kicking strip, 800mm (not for refr-freezer base) PNC 206176
- Frontal kicking strip, 1000mm (not for refr-freezer base) PNC 206177
- Frontal kicking strip, 1200mm (not for refr-freezer base) PNC 206178
- Frontal kicking strip, 1600mm (not for refr-freezer base) PNC 206179

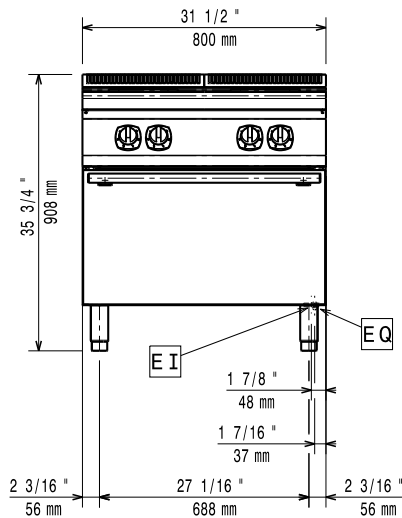
**APPROVAL:** \_\_\_\_\_



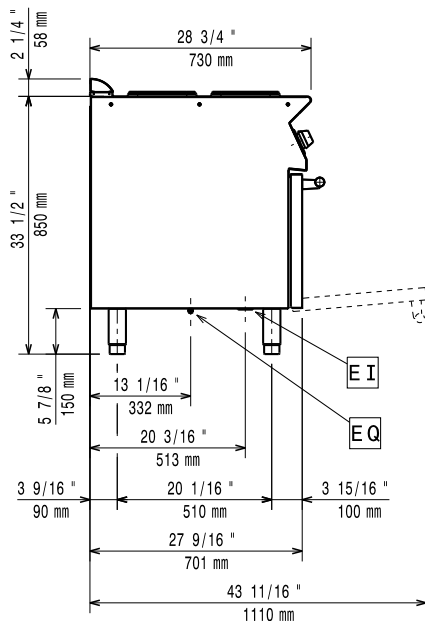
Experience the Excellence  
[www.electroluxprofessional.com](http://www.electroluxprofessional.com)

- 4 feet for concrete installation PNC 206210
- Pair of side kicking strips PNC 206249
- Pair of side kicking strips for concrete installation PNC 206265
- Water column with swivel arm (water column extension not included) PNC 206289
- Water column extension for 700 line PNC 206291
- Oil drain pipe for 15lt free standing fryer (only for 371018) PNC 206301
- Chimney upstand, 800mm PNC 206304
- Right and left side handrails PNC 206307
- BACK HANDRAIL 800 MM - MARINE PNC 206308
- 2 BASKETS (105X350MM) AUTO.PASTA COOKERS (only for 371129) PNC 206314
- Base support for feet or wheels - 800mm (700/900) PNC 206367
- Base support for feet or wheels - 1200mm (700/900) PNC 206368
- Base support for feet or wheels - 1600mm (700/900) PNC 206369
- Base support for feet or wheels - 2000mm (700/900) PNC 206370
- Rear paneling - 800mm (700/900) PNC 206374
- Rear paneling - 1000mm (700/900) PNC 206375
- Rear paneling - 1200mm (700/900) PNC 206376
- Chimney grid net, 400mm PNC 206400
- 2 side covering panels, h=700mm, d=700mm PNC 216000
- Frontal handrail 800mm PNC 216047
- Frontal handrail 1200mm PNC 216049
- Frontal handrail 1600mm PNC 216050
- Large handrail - portioning shelf, 800mm PNC 216186

Front

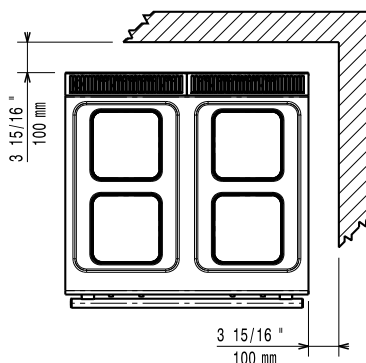


Side



EI = Electrical inlet (power)  
 EQ = Equipotential screw

Top



## Electric

### Supply voltage:

371018 (E7ECEH4QE0)	380-400 V/3 ph/50-60 Hz
371129 (E7ECEH4QEN)	230 V/3 ph/50/60 Hz

### Predisposed for:

Total Watts: 16.4 kW

## Key Information:

If appliance is set up or next to or against temperature sensitive furniture or similar, a safety gap of approximately 150 mm should be maintained or some form of heat insulation fitted.

Oven working Temperature: 100 °C MIN; 300 °C MAX

Oven Cavity Dimensions (width): 540 mm

Oven Cavity Dimensions (height): 300 mm

Oven Cavity Dimensions (depth): 650 mm

External dimensions, Width: 800 mm

External dimensions, Depth: 730 mm

External dimensions, Height: 850 mm

Net weight: 80 kg

### Shipping weight:

371018 (E7ECEH4QE0)	104 kg
371129 (E7ECEH4QEN)	103 kg

### Shipping height:

371018 (E7ECEH4QE0)	1080 mm
371129 (E7ECEH4QEN)	1140 mm

Shipping width: 820 mm

Shipping depth: 860 mm

### Shipping volume:

371018 (E7ECEH4QE0)	0.76 m <sup>3</sup>
371129 (E7ECEH4QEN)	0.8 m <sup>3</sup>

### Certification group:

371018 (E7ECEH4QE0)	EH740
371129 (E7ECEH4QEN)	N7CE1

Front Plates Power: 2.6 - 2.6 kW

Back Plates Power: 2.6 - 2.6 kW

Front Plates dimensions: 230x230 230x230

Back Plates dimensions: 230x230 230x230